



TR 2810

Shower panel

Hygiene Equipment
Designed for People

TR 2810 Complete Shower System, with thermostatic mixing valve

TR 2810 is a shower panel with thermostatic mixing valve and a separate cleaning system that together with TR shower trolleys fulfill a complete shower system. This system means care is comfortable, safe and hygienic for both resident and attendant. TR 2810 is now available with a mechanical lock for cleaning detergent bottle (option).



Registered at Medical Products Agency, Sweden, as a MD Class 1 product, MDD 93/42EEC.

TR reserves the right to make design changes and/or improvements without notice.



TR 2810 is a shower panel with a built in thermostatic mixing valve and separate on/off valves for the shower system and the cleaning system. The cleaning system runs on cold water to minimize inhalation when cleaning equipment, the panel has a built in bottle for cleaning detergent. TR 2810 is now available with a mechanical lock for cleaning detergent bottle (option).

The TR 2810 together with TR shower trolleys is a combined shower system which gives both resident and attendant comfortable hygienic care with high quality.



TR EQUIPMENT



TR 2810

Shower panel

Hygiene Equipment
Designed for People

Features

Easily operated

- Easily operated thanks to clear and clean design.

Cleaning system

- Intergrated hygienic and safe cleaning system for easy cleaning of equipment.

Cleaning detergent

- Built in bottle for cleaning detergent which are automatically mixed with cold water in the cleaning system.

Shower hose thermometer

- Thermometer on the shower hose available as option to read shower temperature.

Hot and cold water supply for patient shower:

- Thermostatic mixer
- Valve for patient shower
- Shower spray handle
- Patient shower hose white

Cold water supply, for cleaning:

- Safety valve for equipment cleaning
- Cleaning spray handle. **Note:** Never to be used on patients.
- Cleaning shower hose yellow
- Cleaning detergent filling
- Cleaning flow setting valve inside panel

Option

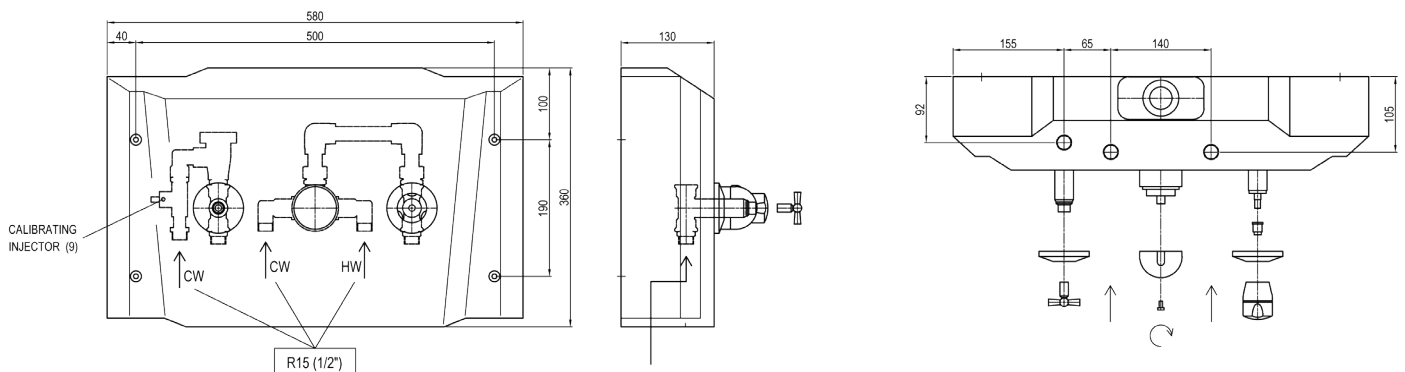
- TR 2810 is now available with a mechanical lock for cleaning detergent bottle.

Specifications



Width	580 mm/23"
Height	360 mm/15"
Depth	130 mm/5"
Recommended mouting height from floor	1250 mm/49"
Min. Dynamic water pressure	0,15 Bar
Max. Dynamic water pressure	5 Bar

Dimensions (mm)



Head office

TR Equipment AB, Sweden
Phone: +46 140 38 50 60
info@treqipment.se
www.treqipment.com

Group Subsidiaries

TR Group Inc, US, Phone: +1 (800) 752 6900
TR Equipment Ltd, UK, Phone: +44 (0) 844 335 8386
TRanspoRehaMed GmbH, Germany, Phone: +49 (0) 212 645850-0



TR EQUIPMENT